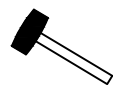
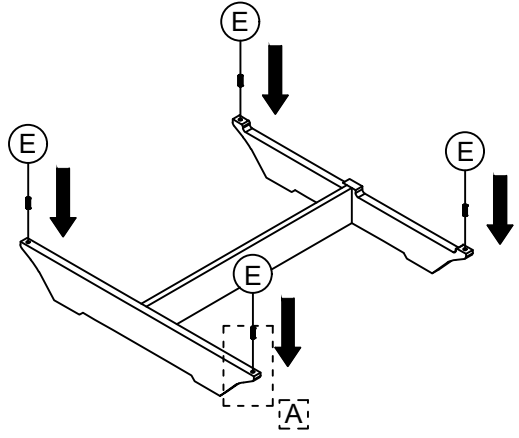
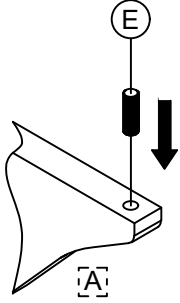
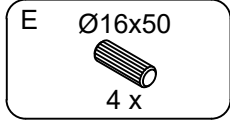
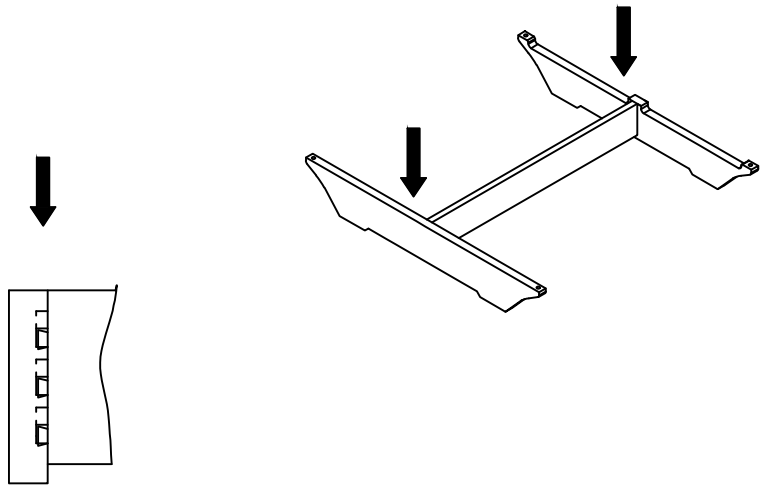
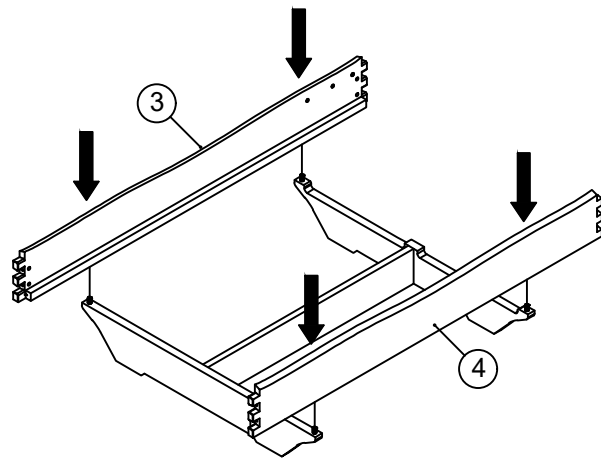


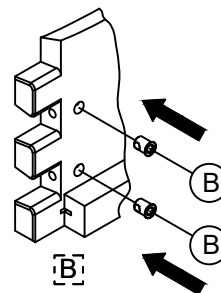
Schwebebett



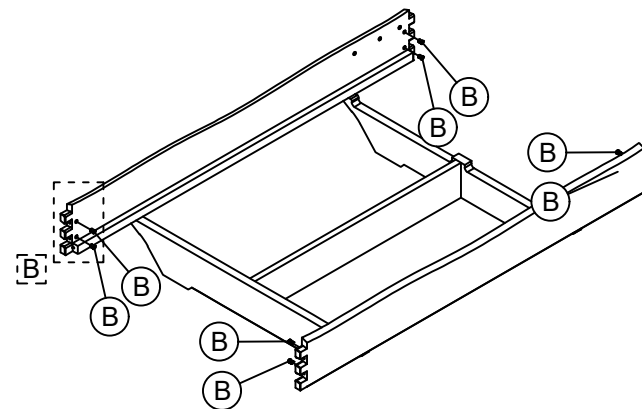
4



B $\varnothing 14 \times 17$
8 x

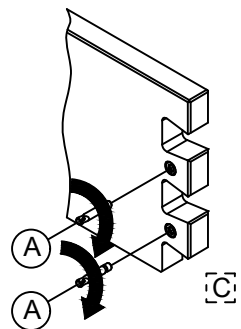
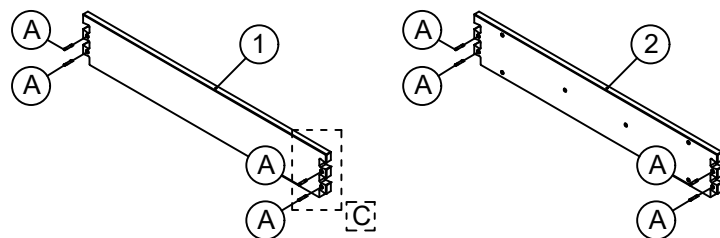


5

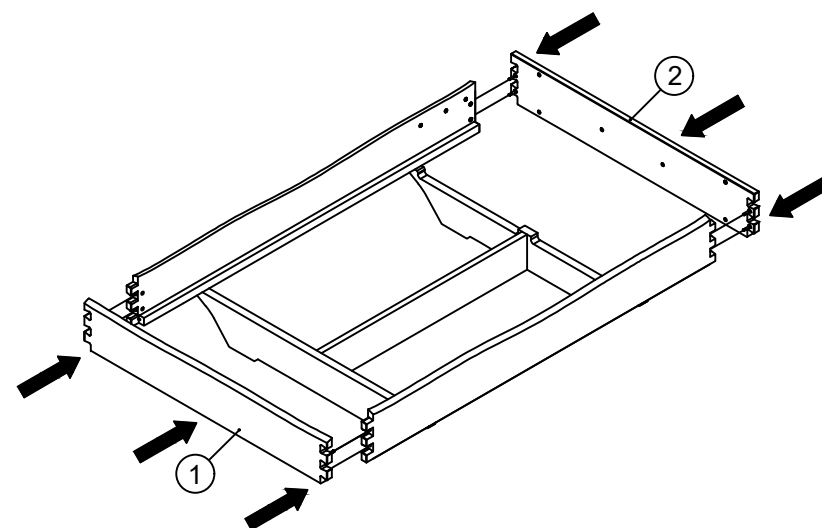


6

A $\varnothing 8 \times 46$
8 x

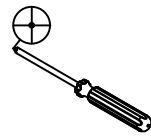
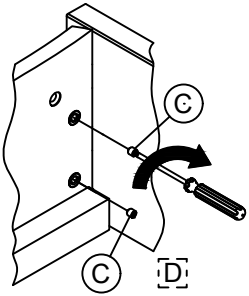
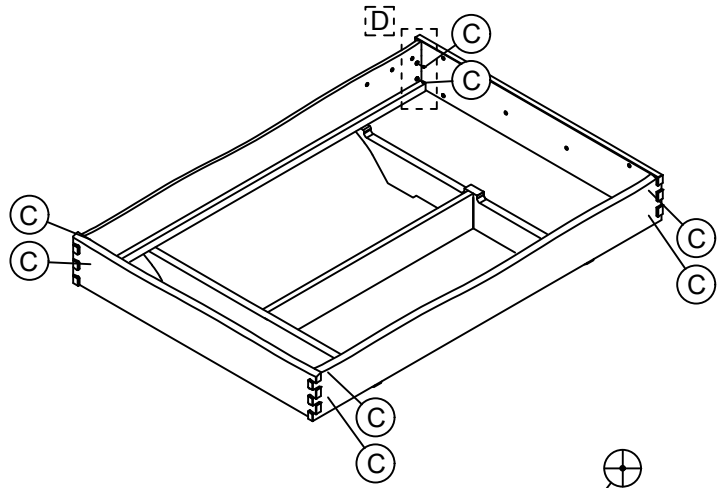


7



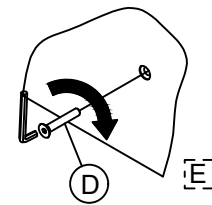
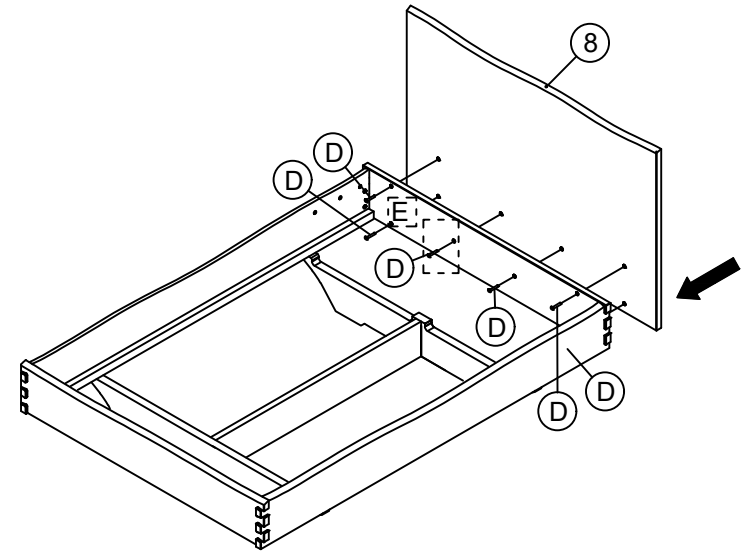
C M8x10
8 x

8



D M8x50
6 x

9



SW 5

